

# Tuttnauer Dental

A leader in infection prevention  
**since 1925**

**HIGH THERMAL DISINFECTION WASHER  
TIVA8-MD | 165 LITER CHAMBER**

Dental

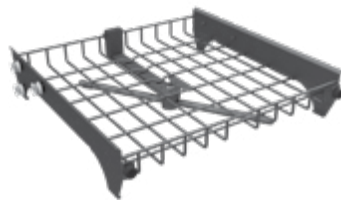
Quality Products ◆ Leading Edge Technology ◆ Reliable Services ◆ Professional Excellence

# Welcome to the TIVA8-MD High Disinfection Thermal Washer

The ultimate automated solution for washing, rinsing, disinfecting, and drying your dental instruments prior to sterilization.

Designed to simplify your work by eliminating manual washing and reducing your manpower. Ensuring the safety of your patients by providing consistent quality washing cycles at all times and ensuring the safety of your staff by eliminating risks of exposure to potentially harmful aerosols.

## TIVA8-MD Washer Disinfector Dental Package



Upper Rack with spray arm



Lower Rack basic

### Features included:

- Double-layered tempered glass door
- Three water connections: Cold + Warm + Deionized water softener with protection filter
- Spray Arm Monitoring
- Multi Color Chamber LED Light
- Upper Rack with spray arm
- Lower Rack basic

### Comes in 2 different power configurations:

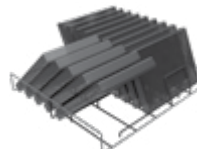
- 3-Phase 208-240V without Neutral, 60Hz  
Part# TIVA8-MD 3 DENTAL
- Single Phase 208-240V without Neutral, 60Hz  
Part# TIVA8-MD 1 DENTAL

---

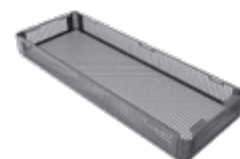
### Dental Package comes standard with purchase of TIVA8 Dental Washers



Insert for Trays  
or Cassettes, 6  
position 35mm



Insert,  
14 Position



1/3 Basket, Suitable  
for use on all racks

# Improved Productivity and Efficiency



## Premium Performance

---

- Instruments are completely dried thanks to powerful electric blowers and heaters with a HEPA H14 filter
- Three water connections for flexible operation and for optimal washing needs
- (cold & hot with softeners, demineralized)
- Conductivity measurements to check rinse water quality before disinfection
- Up to 40 washing programs
- AISI 316L Stainless Steel



## Intuitive User Experience

---

- A full control and all-in-one operation from a single touch panel with color display
- Spray Arm monitoring for continuous washing validation
- Graphical report of washing phases including time and temperature
- Multi color chamber LED light (White, Green, Red) operates during loading, unloading and running the program
- Double-layered tempered glass door for visual monitoring



## Enhanced Traceability

---

- Comply with regulation by saving washing cycles data
- USB and RS232 connectivity
- Printer for data documentation (optional)



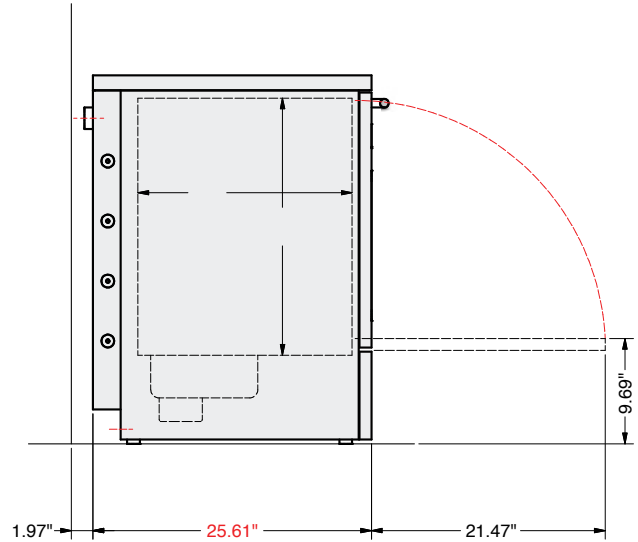
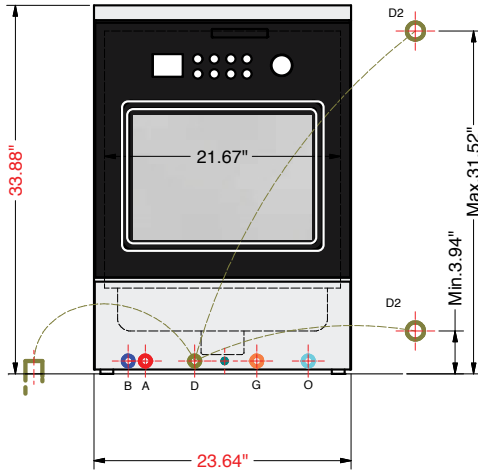
## Eco-Friendly

---

- 2 dosing pumps with flowmeter for precise consumption of acid and alkaline detergents
- Integrated water softener for reducing decontamination
- Built-in steam condenser for excess water and steam

# TIVA8-MD Technical Data

23.6 inch narrow design



- A** Hot water connection-3/4"g (tube 1/2"g)
- B** Cold water connection-3/4"g (tube 1/2"g)

- D2** Drain dn 40 - hose connection 0.984" (at wall)
- G** Electrical connection

- O** Demineralized water connection-1/2"g
- E2** Drain dn 40 - hose connection 25mm (at wall)

## ALL YOUR INFECTION CONTROL NEEDS

Let us introduce you to our complementary family of sterile processing products to ensure a comprehensive process from start to end



**T-Clean TIVA Neutralizer:**  
Acidic neutralizing agent and detergent for the automated reprocessing of instruments and laboratory glassware



**T-Clean TIVA Detergent:**  
Detergent for reprocessing thermostable and thermolabile instruments



**T-Clean Prep-Foam:**  
Multi-Tiered Enzymatic Foam Spray. Helps To Prevent The Adhesion Of Bioburden To The Surfaces Of All Surgical Instruments And Scopes



T-Edge



Water Distiller



Biological Indicator Starter Kit



Cleaning Indicator

LTR330-0108/WAS/TIVA8DEN/USANV-1/02.22

Dental

Distributed by:



**Tuttnauer USA Co.**  
25 Power Drive,  
Hauppauge, NY 11788  
Tel: +800 624 5836, +631 737 4850  
Fax: +631 737 0720  
E-mail: info@tuttnauerUSA.com



Learn from our experts  
Join our blog [tuttnauerusa.com/blog](http://tuttnauerusa.com/blog)